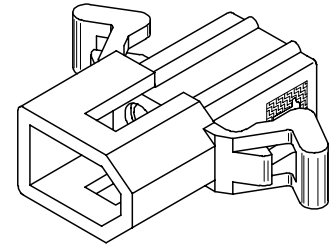
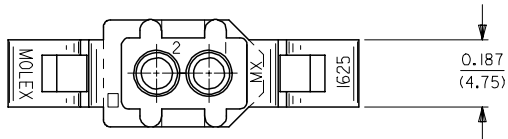


13 12 11 10 9 8 7 6 5 4 3 2 1

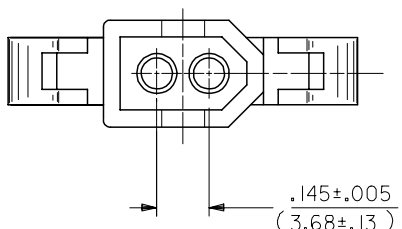
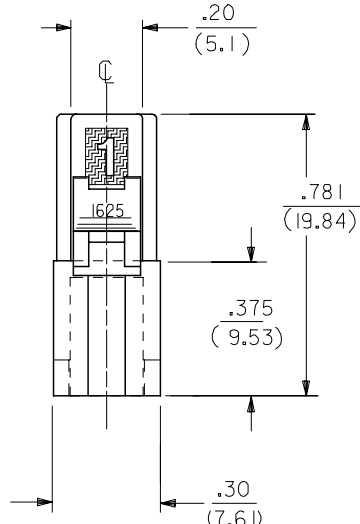
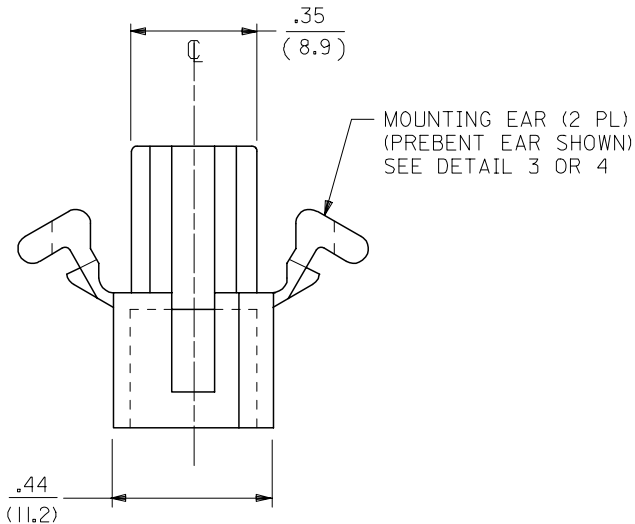
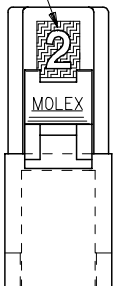
J  
I  
H  
G  
F  
E  
D  
C  
B  
A

J  
I  
H  
G  
F  
E  
D  
C  
B  
A



PLUG HOUSING

CIRCUIT I.D.



3	AE1
2	AE1
1	AE1
SHT.REV.	

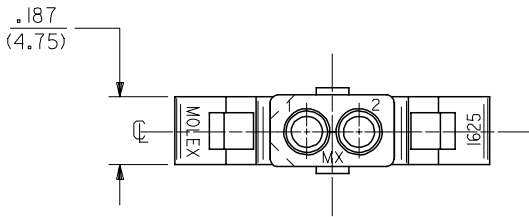
ADD NEW TOOL STEP EC NO: UCP2007-1980 DRAWN/PRI/DDR 2007/04/13 CHKD: AEL/HAG 2007/04/16 APPR: FSM/TH 2007/04/19 REVISION AE1	QUALITY SYMBOLS =0 =0	GENERAL TOLERANCES (UNLESS SPECIFIED)		DIMENSION STYLE IN/MM		SCALE 4:1	DESIGN UNITS INCH	THIRD ANGLE PROJECTION	
		4 PLACES ± --- ± --- 3 PLACES ± --- ± .007 2 PLACES ± 0.18 ± .010 1 PLACE ± 0.25 ± ---	mm INCH	DRAWN BY JJS	DATE 1988/04/13	TITLE PLUG AND RECEPTACLE 2 CIRCUIT HOUSINGS .062/(1.57) DIA.			
		ANGULAR ± 1 °		CHECKED BY RW	DATE 1988/04/13	MATERIAL NO. SD-1625-2*			
		DRAFT WHERE APPLICABLE MUST REMAIN WITHIN DIMENSIONS		APPROVED BY RAS	DATE 1988/04/13	SEE CHART		DOCUMENT NO.	SHEET NO. 1 OF 3

12 11 10 9 8 7 6 5 4 3 2 1

13 12 11 10 9 8 7 6 5 4 3 2 1

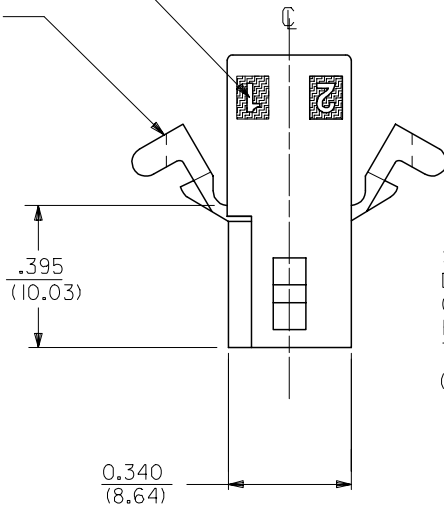
J  
I  
H  
G  
F  
E  
D  
C  
B  
A

J  
I  
H  
G  
F  
E  
D  
C  
B  
A

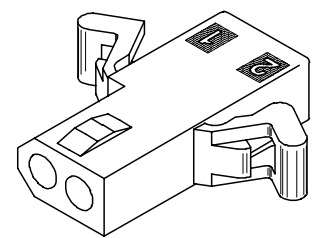
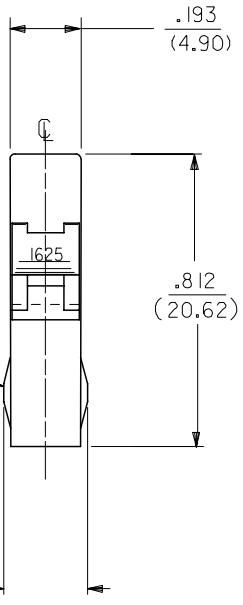


7 CIRCUIT I.D.

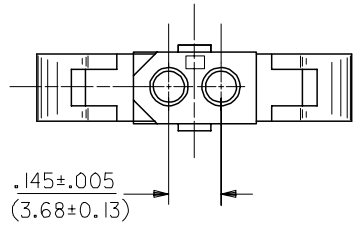
MOUNTING EAR (2 PL)  
(WHEN SPECIFIED)  
SEE DETAIL 3 OR 4



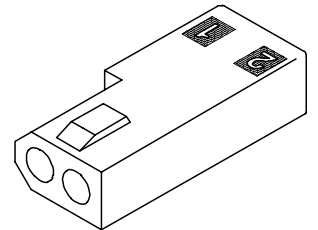
STANDARD  
DETENT SHOWN.  
OPTIONAL  
POSITIVE LOCK  
THIS SIDE ONLY  
(SEE NOTE 5)



RECEPTACLE HOUSING  
(1625-2R2 SHOWN)



OPTIONAL POSITIVE LOCK  
ONE SIDE ONLY  
SCALE 4:1



RECEPTACLE HOUSING  
(1625-2R3 SHOWN)

UPDATE TITLE BLOCK EC NO: UCP2007-1980 DRAWN/PRI/DDR 2007/04/13 CHKD: AEL/HAG 2007/04/16 APPR: FSM/TH 2007/04/19 REV: AE1	QUALITY SYMBOLS ▽=0 ▽=0	GENERAL TOLERANCES (UNLESS SPECIFIED)		DIMENSION STYLE IN/MM		SCALE 4:1	DESIGN UNITS INCH	THIRD ANGLE PROJECTION
		4 PLACES ± --- ± --- 3 PLACES ± --- ± .007 2 PLACES ± 0.18 ± .010 1 PLACE ± 0.25 ± ---	mm INCH	DRAWN BY JJS	DATE 1988/04/14	TITLE PLUG & RECEPTACLE 2 CIRCUIT HOUSINGS .062/(1.57) DIA.	MOLEX INCORPORATED	SHEET NO. 2 OF 3
		ANGULAR ± 1 °	APPROVED BY RAS	DATE 1988/04/14	MATERIAL NO. SEE CHART	DOCUMENT NO. SD-1625-2*	MUST REMAIN WITHIN DIMENSIONS	THIS DRAWING CONTAINS INFORMATION THAT IS PROPRIETARY TO MOLEX INCORPORATED AND SHOULD NOT BE USED WITHOUT WRITTEN PERMISSION
		DRAFT WHERE APPLICABLE	SIZE C	MUST REMAIN WITHIN DIMENSIONS				

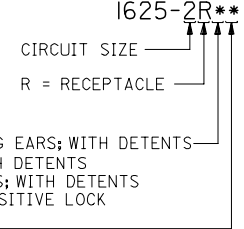
12 11 10 9 8 7 6 5 4 3 2 1

13 12 11 10 9 8 7 6 5 4 3 2 1

PLUG	
PART NO.	ENG. NO.
03-06-7023	I625-2PIBK
03-06-2023	I625-2P1
03-06-7027	I625-2P2BK
03-06-2024	I625-2P2

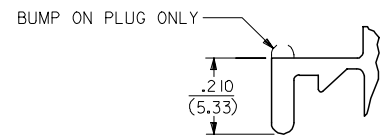
RECEPTACLE	
PART NO.	ENG. NO.
03-06-6023	I625-2RIBK
03-06-1020	I625-2R3
03-06-1023	I625-2R1
03-06-1022	I625-2R2
03-06-6025	I625-2R2RD
03-06-6026	I625-2R2GN
03-06-6027	I625-2R2BU
03-06-6022	I625-2R2BK
03-06-6028	I625-2R1BU

RECEPTACLE LEGEND:



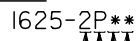
BLANK = WITH STANDARD MOUNTING EARS; WITH DETENTS  
 1 = WITHOUT MOUNTING EARS; WITH DETENTS  
 2 = WITH PREBENT MOUNTING EARS; WITH DETENTS  
 3 = W/O MOUNTING EARS, WITH POSITIVE LOCK

BLANK = NATURAL  
 AM=AMBER BK=BLACK BU=BLUE  
 BN=BROWN GY=GRAY GN=GREEN  
 OR=ORANGE RD=RED YW=YELLOW



DETAIL 3  
 STANDARD MOUNTING EARS  
 (SCALE 4:1)

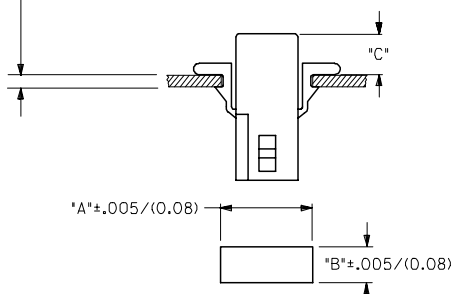
PLUG LEGEND:



1 = WITHOUT MOUNTING EARS  
 2 = WITH PREBENT MOUNTING EARS  
 3 = W/O MOUNTING EARS, WITH POSITIVE LOCK

BLANK = NATURAL  
 AM=AMBER BK=BLACK BU=BLUE  
 BN=BROWN GY=GRAY GN=GREEN  
 OR=ORANGE RD=RED YW=YELLOW

MAX. PANEL THICKNESS .060/(1.52)

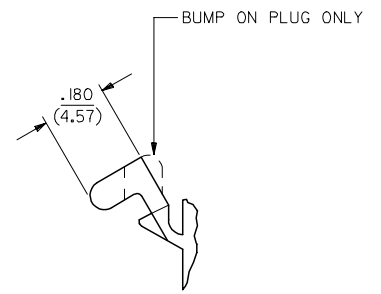


RECOMMENDED HOLE PATTERN

HOUSING	DIM. "A"	DIM. "B"	PREBENT EAR DIM. "C"	STD. EAR DIM. "C"
PLUG	.609 (15.47)	.318 (8.08)	.24 (6.0)	.24 (6.1)
RECEPTACLE	.505 (12.83)	.265 (6.73)	.25 (6.4)	.25 (6.4)

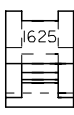
NOTES:

1. MATERIAL - NYLON TYPE 6/6, 94V-2
2. FINISH: NONE
3. PRODUCT SPECIFICATION: PS-02-06
4. PACKAGING SPECIFICATION: PK-1625-001
5. POSITIVE LOCK VERSION REQUIRES USE OF A SCREWDRIVER OR SIMILAR TOOL TO LIFT SHROUD ON PLUG HOUSING IN ORDER TO UNMATE RECEPTACLE HOUSINGS
6. HOUSINGS FOR USE WITH MOLEX .062/(1.57) DIA. SERIES TERMINALS.
7. CIRCUIT I.D. NUMBERS ON SIDE OF HOUSING APPEAR ON PARTS FROM TOOLS BUILT AFTER 07/01/1991.
8. THIS PART CONFORMS TO CLASS B REQUIREMENTS OF COSMETIC SPECIFICATION PS-45499-002.



DETAIL 4

PREBENT MOUNTING EARS  
 (SCALE 4:1)



UPDATE NOTES EC NO: UCP2007-1980 DRAWN: PPR/DDE CHKD: AEL/HAG APPR: FSM/TH 2007/04/13 2007/04/16 2007/04/19	QUALITY SYMBOLS ▽=0 ▽=0	GENERAL TOLERANCES (UNLESS SPECIFIED)		DIMENSION STYLE IN/MM		SCALE 2:1	DESIGN UNITS INCH	THIRD ANGLE PROJECTION
		4 PLACES ± --- ± --- 3 PLACES ± --- ± .007 2 PLACES ± 0.18 ± .010 1 PLACE ± 0.25 ± --- ANGULAR ± 1 °	DRAWN BY JJS DATE 1988/04/14	CHECKED BY RW DATE 1988/04/14	TITLE PLUG & RECEPTACLE 2 CIRCUIT HOUSINGS .062(1.57)DIA.			
		DRAFT WHERE APPLICABLE MUST REMAIN WITHIN DIMENSIONS	APPROVED BY RAS DATE 1988/04/14	MATERIAL NO. SEE CHART	DOCUMENT NO. SD-1625-2*	SHEET NO. 3 OF 3		
		THIS DRAWING CONTAINS INFORMATION THAT IS PROPRIETARY TO MOLEX INCORPORATED AND SHOULD NOT BE USED WITHOUT WRITTEN PERMISSION						

12 11 10 9 8 7 6 5 4 3 2 1